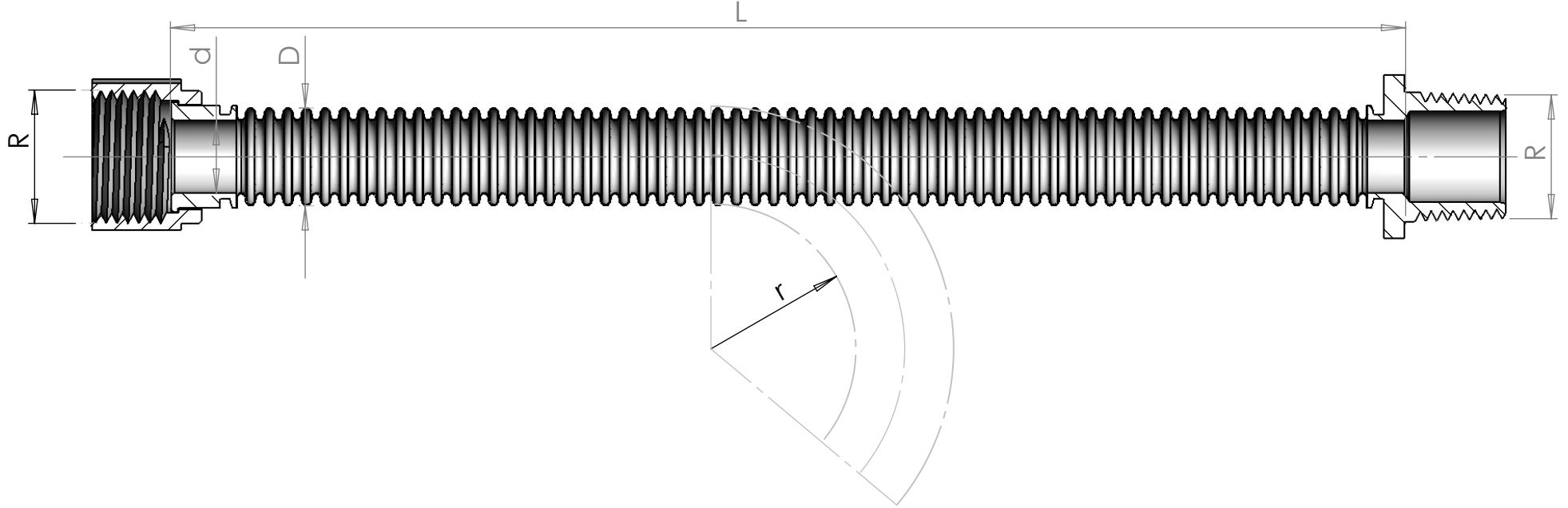


DN12 - 1/2" MF L=..... mm



DN12 - 1/2" FF L=..... mm

